

INDEXED Y.M.  
 FOLLOW UP \_\_\_\_\_  
 PROOFED \_\_\_\_\_  
 SCANNED \_\_\_\_\_

Instrument #: 2018-0070  
 01/09/2018 10:10:48 AM Total Pages: 1  
 PLC PLAT CORNER CER  
 Recording Fee: \$7.00 Transfer Tax: \$0  
 Denise Reeves, Recorder, Crawford County Iowa



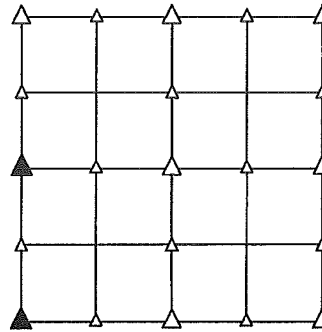
PREPARED BY - JOSEPH P. RUESCHENBERG - SUNDRIST ENGINEERING - 120 S. MAIN, DENISON, IOWA 51442 - PHONE (712) 263-8118

UNITED STATES PUBLIC LAND SURVEY CORNER CERTIFICATE  
 OF

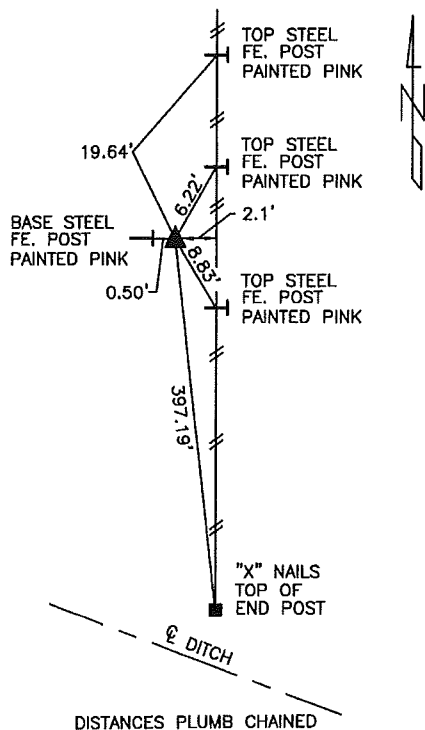
LAND SURVEY MONUMENT SITUATED IN SECTION 24, T 82 N, R 41 W OF  
 THE 5TH P.M., CRAWFORD COUNTY, IOWA.  
 PREVIOUSLY RECORDED IN BOOK \_\_\_\_\_, PAGE \_\_\_\_\_, OTHER \_\_\_\_\_

MONUMENT DESCRIPTION AND REMARKS

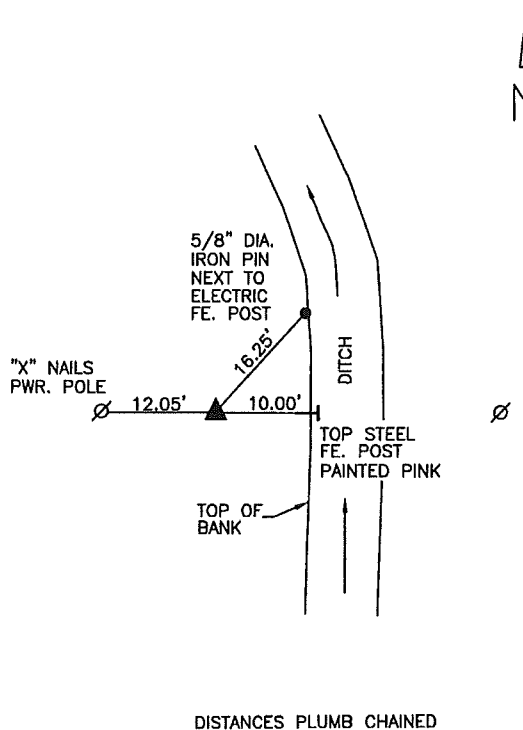
W1/4 CORNER - FOUND CM W/BRASS CAP 0.5' DEEP. SET 5/8" DIA.  
 IRON PIN ON NORTH SIDE OF CM 0.1' BELOW TOP  
 OF CM.  
 SW CORNER - FOUND 3/4" DIA. GAS PIPE 0.5' DEEP OVER CM 2.0'  
 DEEP.



PLAN VIEW SHOWING RELATIVE LOCATION OF MONUMENT AND REFERENCE POINTS.



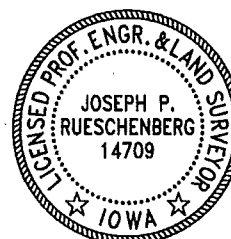
W1/4 CORNER SECTION 24-82-41



SW CORNER SECTION 24-82-41

I HEREBY CERTIFY THAT THIS LAND SURVEYING DOCUMENT WAS PREPARED  
 AND THE RELATED SURVEY WORK WAS PERFORMED BY ME OR UNDER MY  
 DIRECT PERSONAL SUPERVISION AND THAT I AM A DULY LICENSED LAND  
 SURVEYOR UNDER THE LAWS OF THE STATE OF IOWA.

Joseph P. Rueschenberg 1-5-2018  
 JOSEPH P. RUESCHENBERG DATE  
 IA LICENSE NO. 14709 EXP. DATE DECEMBER 31, 2018



SE PROJECT NO. 23217  
 DRAWN BY: LLL