

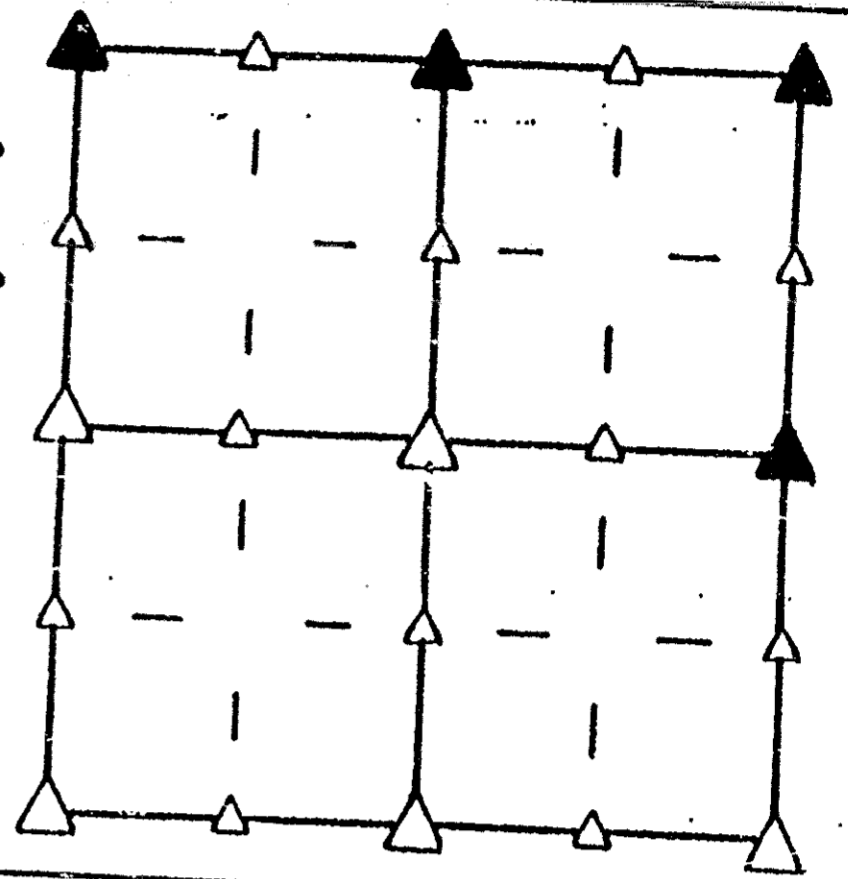
# SECTION CORNER CERTIFICATE

LAND SURVEY MONUMENT SITUATED IN SECTION 20, T 84 N, R 41 W OF THE 5TH P.M., CRAWFORD COUNTY, IOWA.

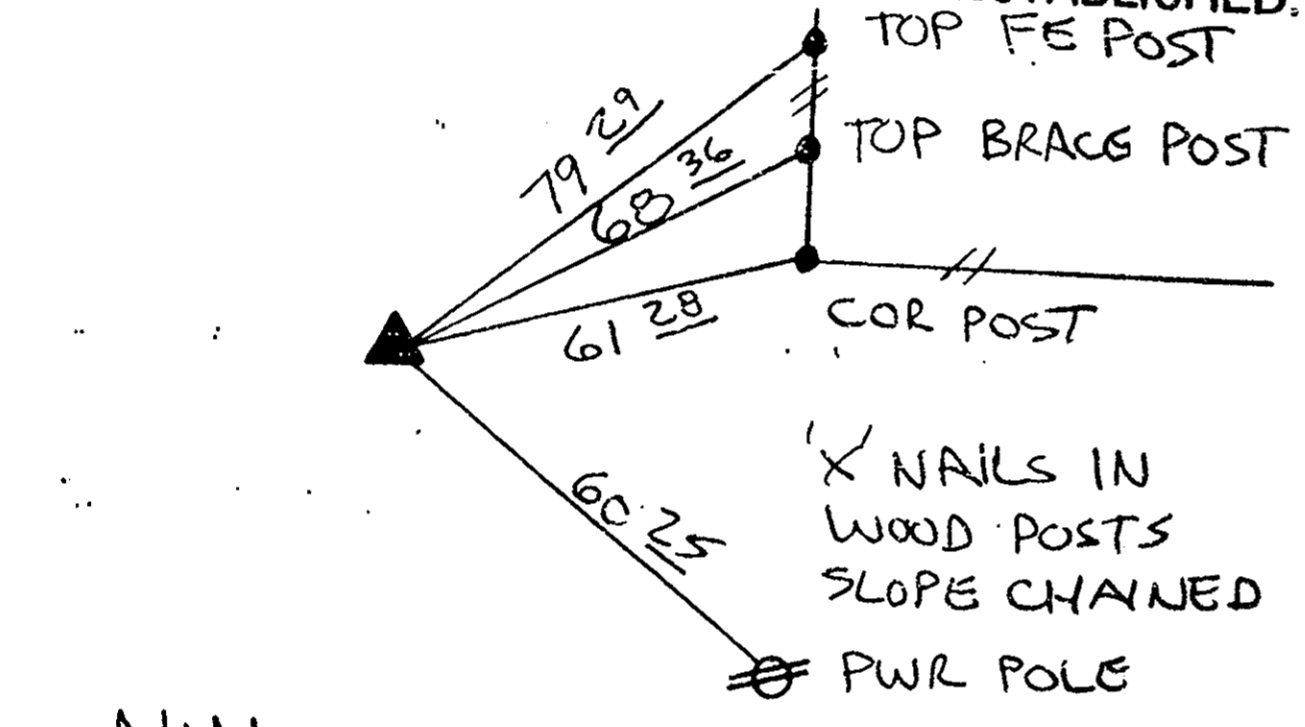
PREVIOUSLY RECORDED IN BOOK \_\_\_\_\_, PAGE \_\_\_\_\_, OTHER \_\_\_\_\_

**DESCRIPTION OF EVIDENCE FOUND**

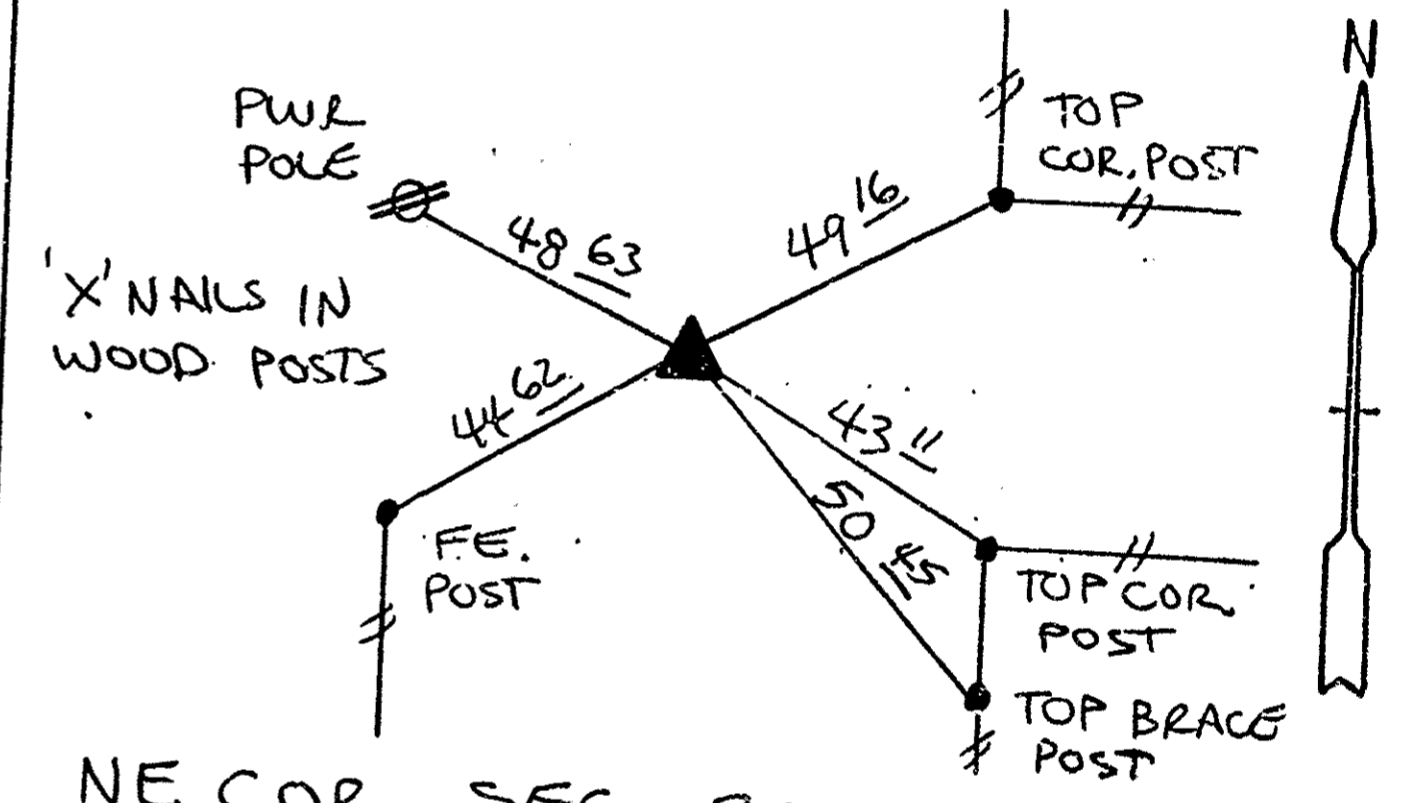
NW COR. - FOUND 1/2" IRON PIN 5" DEEP  
 NE COR. - FOUND 5/8" IRON PIN 2" DEEP  
 N 1/4 COR. - SET 5/8" IRON PIN W/CAP # 8893 4" DEEP  
 E 1/4 COR. - SET 5/8" IRON PIN W/CAP # 8893 4" DEEP



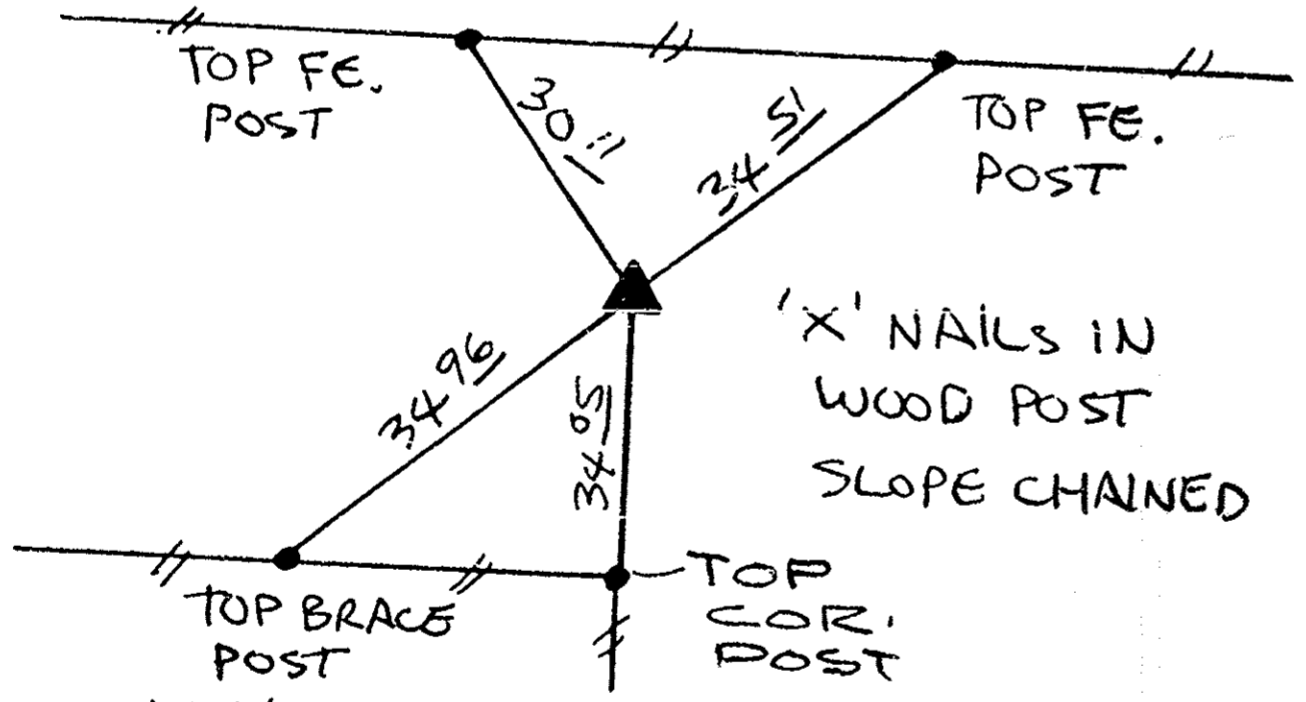
**SKETCH SHOWING RELATIVE LOCATION OF MONUMENT AND REFERENCE POINTS. DESCRIPTION OF MONUMENT AND/OR ACCESSORIES ESTABLISHED.**



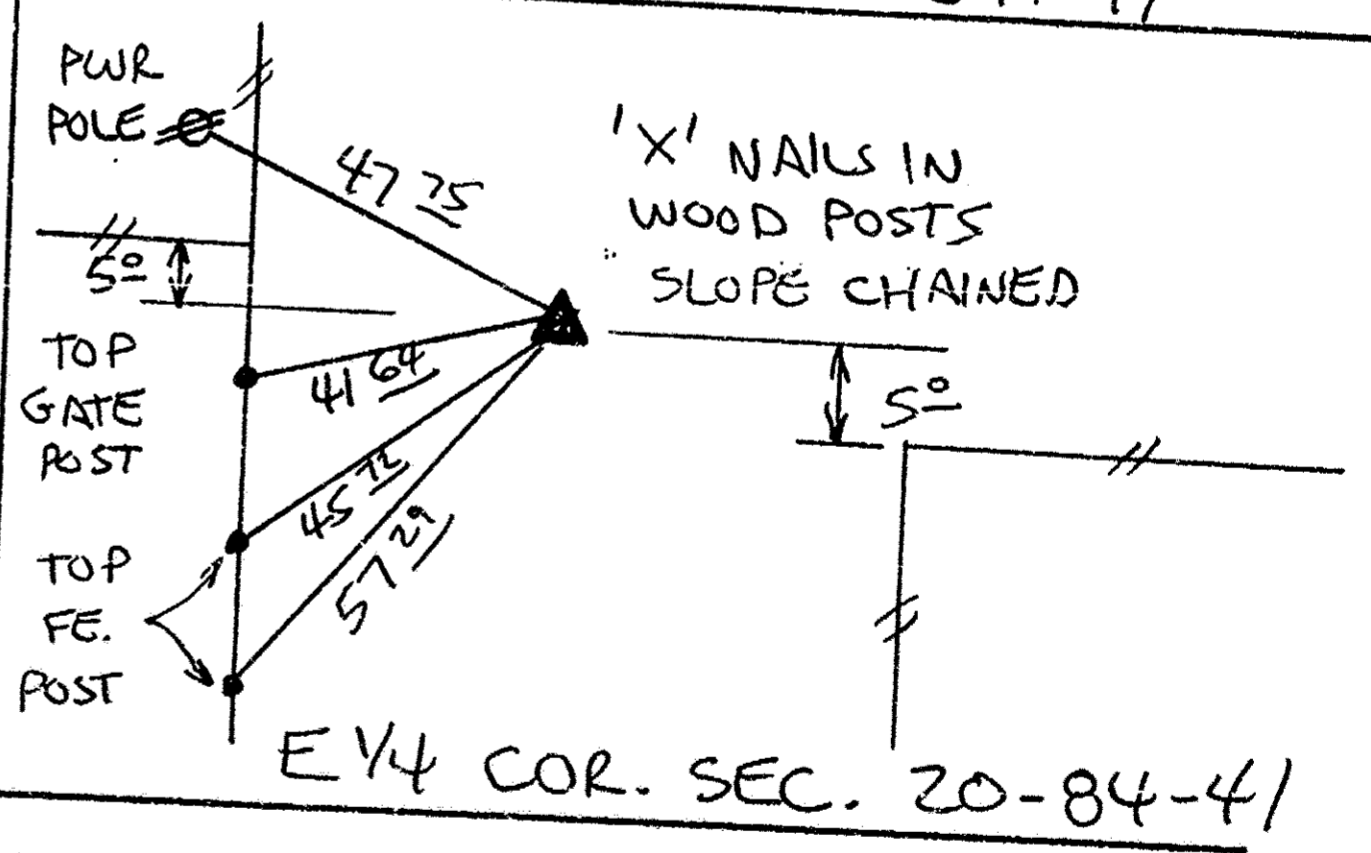
NW COR. SEC. 20-84-41



NE COR. SEC. 20-84-41



N 1/4 COR. SEC. 20-84-41



E 1/4 COR. SEC. 20-84-41

I HEREBY CERTIFY THAT THIS PLAT, MAP, SURVEY OR REPORT WAS MADE BY ME OR UNDER MY DIRECT PERSONAL SUPERVISION AND THAT I AM A DULY REGISTERED LAND SURVEYOR UNDER THE LAWS OF THE STATE OF IOWA.

*Terence E. Crawford*

Terence E. Crawford



date AUG 09 1993  
 Ia reg. no. 8893

RECORDING OFFICER

FILED DENISON, IOWA  
 CRAWFORD COUNTY  
 93 SEP 22 AM 8:51  
 INST. NO. 93-2576  
 DENISE JURGENSEN, RECORDER  
*Denise Jurgensen*  
 FEE \$16.00

INDEXED by  
 FOLLOW UP \_\_\_\_\_  
 PROOFED \_\_\_\_\_