

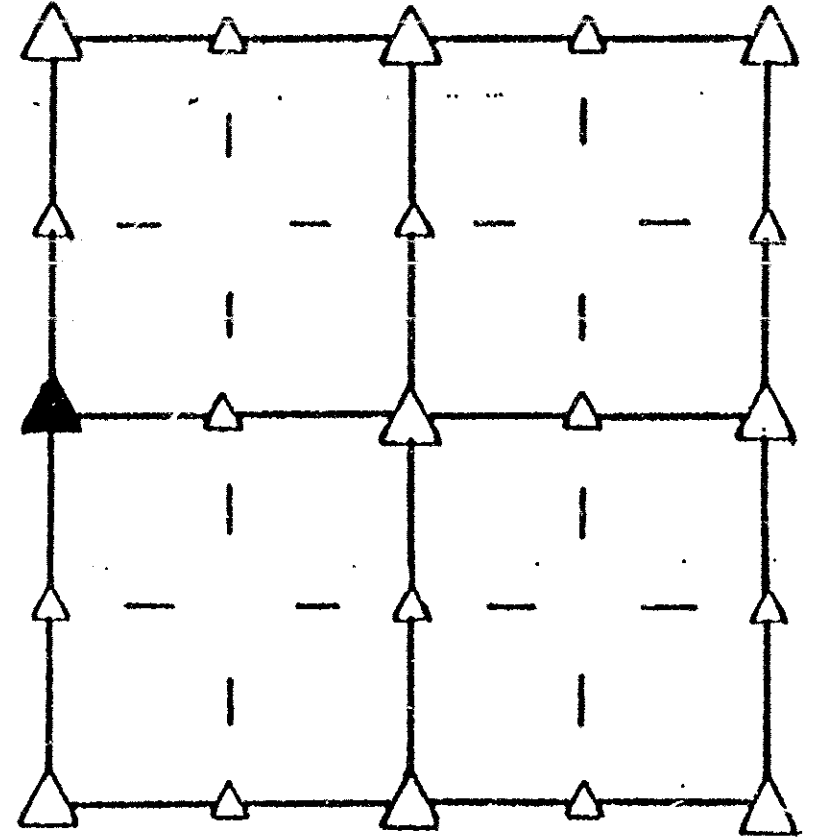
# SECTION CORNER CERTIFICATE

LAND SURVEY MONUMENT SITUATED IN SECTION 4, T83 N, R39 W OF  
THE 5TH P.M., CRAWFORD COUNTY, IOWA.

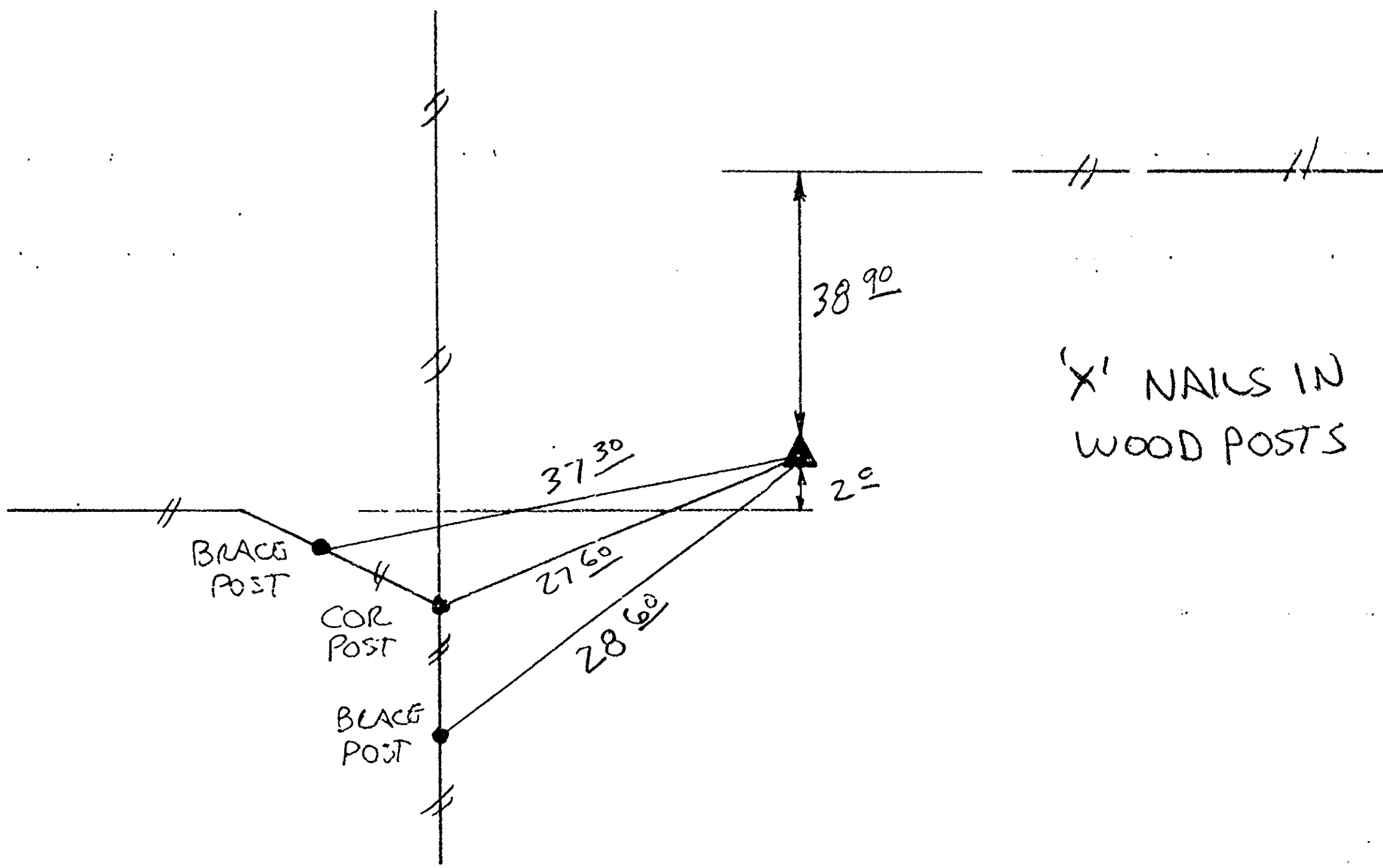
PREVIOUSLY RECORDED IN BOOK \_\_\_\_\_, PAGE \_\_\_\_\_, OTHER \_\_\_\_\_

**DESCRIPTION OF EVIDENCE FOUND**

W 1/4 COR. - FOUND C.M. - 1' DEEP



**SKETCH SHOWING RELATIVE LOCATION OF MONUMENT AND REFERENCE POINTS. DESCRIPTION OF MONUMENT AND/OR ACCESSORIES ESTABLISHED.**



W 1/4 COR. SECTION 4-83-39

I HEREBY CERTIFY THAT THIS PLAT, MAP, SURVEY OR REPORT WAS MADE BY ME OR UNDER MY DIRECT PERSONAL SUPERVISION AND THAT I AM A DULY REGISTERED LAND SURVEYOR UNDER THE LAWS OF THE STATE OF IOWA.

*Jerry F. Shellberg*  
 \_\_\_\_\_  
 Jerry F. Shellberg



date MAY 28 1993  
 Ia reg. no. 4129

RECORDING OFFICER  
 CRAWFORD COUNTY

93 JUN 10 PM 12:56

INST. NO. 93-1659  
 DENISE JURGENSEN, RECORDER  
*Denise Jurgensen*  
 FEE \$ 5.00

INDEXED DP  
 FOLLOW UP \_\_\_\_\_  
 PROOFED \_\_\_\_\_