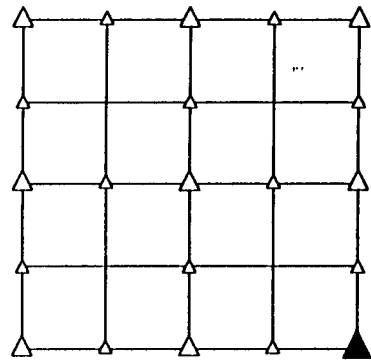


UNITED STATES PUBLIC LAND SURVEY CORNER CERTIFICATE OF

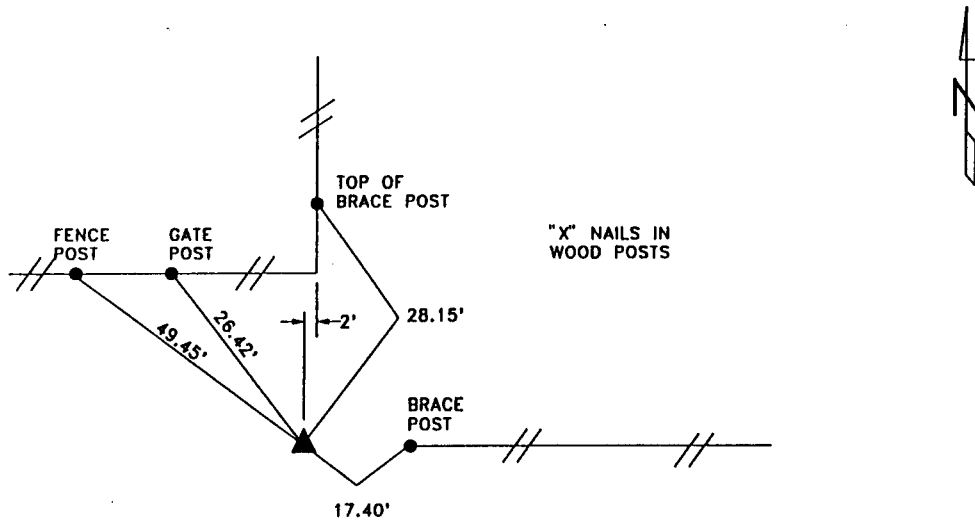
LAND SURVEY MONUMENT SITUATED IN SECTION 9, T 84 N, R 39 W OF
THE 5TH P.M., CRAWFORD COUNTY, IOWA.
PREVIOUSLY RECORDED IN BOOK _____, PAGE _____, OTHER #92-1988

MONUMENT DESCRIPTION AND REMARKS

SE CORNER - FOUND C.M. 1.0' DEEP



PLAN VIEW SHOWING RELATIVE LOCATION OF MONUMENT AND REFERENCE POINTS.



SE CORNER SECTION 9-84-39

I HEREBY CERTIFY THAT THE SURVEY WORK WAS COMPLETED AND THIS LAND SURVEYING DOCUMENT WAS PREPARED BY ME OR UNDER MY DIRECT PERSONAL SUPERVISION AND THAT I AM A DULY REGISTERED LAND SURVEYOR UNDER THE LAWS OF THE STATE OF IOWA.

Terence E. Crawford
TERENCE E. CRAWFORD



DATE APR 05 1996
IA REG. NO. 8893
EXP. DATE DECEMBER 31, 1997

RECORDING OFFICER

FILED DENISON, IOWA
CRAWFORD COUNTY
96 APR 30 AM 9:00
INST. NO. 96-1266
DENISE MEEVES, RECORDER
Denise Meeves
FEE \$ 6.00

INDEXED AME
FOLLOW UP ✓
PROOFED _____