

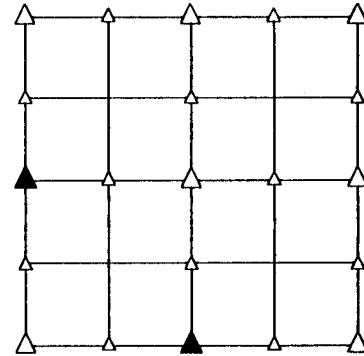
PREPARED BY - TERENCE E. CRAWFORD - SUNDQUIST ENGINEERING - 120 S. MAIN DENISON, IOWA 51442 - PHONE (712)263-8118

UNITED STATES PUBLIC LAND SURVEY CORNER CERTIFICATE OF

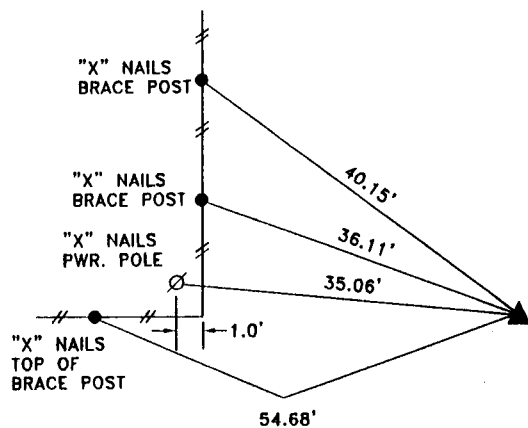
LAND SURVEY MONUMENT SITUATED IN SECTION 19, T 84 N, R 38 W OF
 THE 5TH P.M., CRAWFORD COUNTY, IOWA.
 PREVIOUSLY RECORDED IN BOOK _____, PAGE _____, OTHER _____

MONUMENT DESCRIPTION AND REMARKS

W1/4 CORNER - FOUND BROKEN CM WITH IRON PIN IN CENTER
 8" DEEP
 S1/4 CORNER - FOUND CM 1.0' DEEP

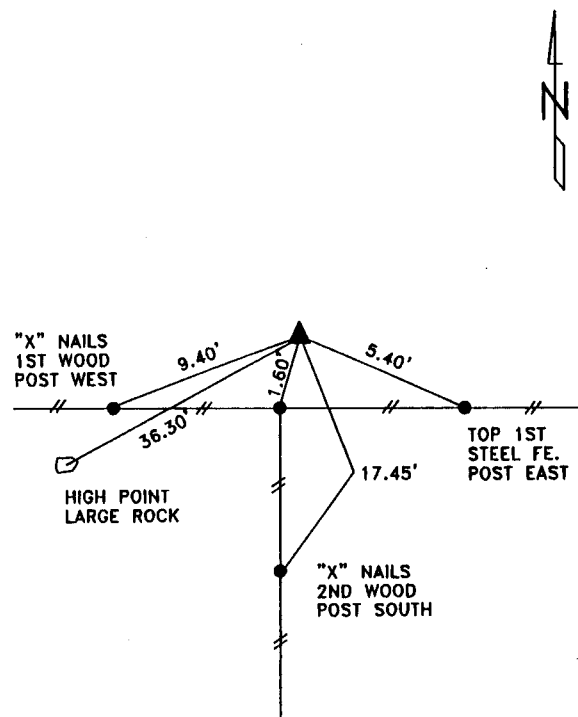


PLAN VIEW SHOWING RELATIVE LOCATION OF MONUMENT AND REFERENCE POINTS.



DISTANCES SLOPE CHAINED

W1/4 CORNER SECTION 19-84-38



DISTANCES PLUMB CHAINED

S1/4 CORNER SECTION 19-84-38

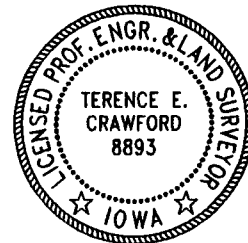
I HEREBY CERTIFY THAT THE SURVEY WORK WAS COMPLETED AND THIS LAND SURVEYING DOCUMENT WAS PREPARED BY ME OR UNDER MY DIRECT SUPERVISION AND THAT I AM A DULY LICENSED LAND SURVEYOR UNDER THE LAWS OF THE STATE OF IOWA.

Terence E. Crawford

OCT 26 1999

TERENCE E. CRAWFORD
 IA LICENSE NO. 8893

DATE
 EXP. DATE DECEMBER 31, 1999



SE PROJECT NO. 2449