

2000 MR 16 AM 10:45

INST. NO. 200-0682
DENISE MEEVES, RECORDER
Denise Meeves
FEE \$ 6.00

This document prepared by: Semke & Associates - 712-792-2276
Michael G. Semke, L.S.#10318 - 608 N. Court St., Carroll, Iowa

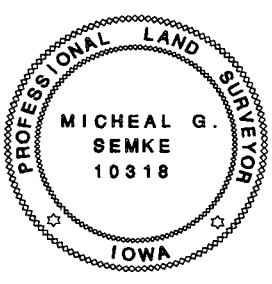
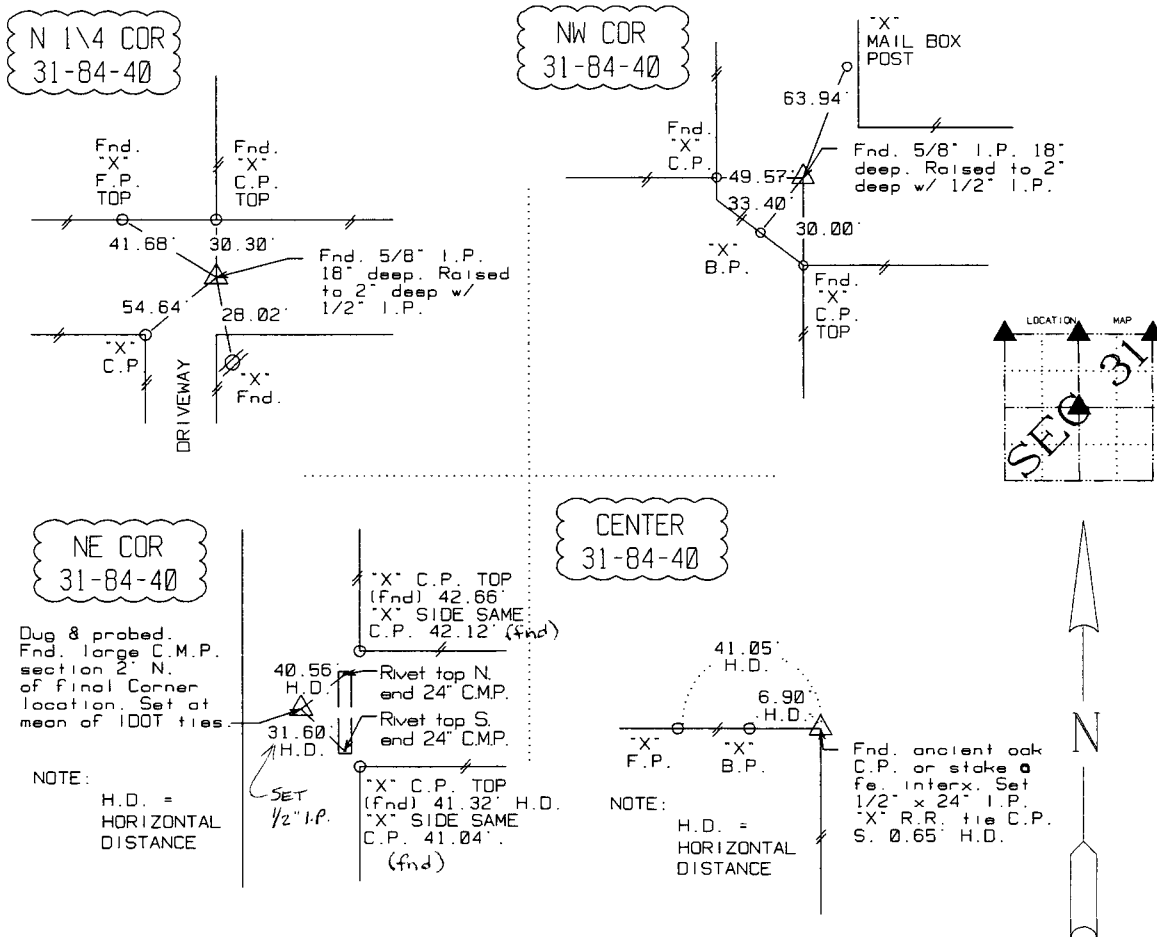
UNITED STATES PUBLIC LAND SURVEY CORNER CERTIFICATE
OF

Land Survey Monuments situated in Section 31, Township 84, Range 40, of the Fifth Principal Meridian, Crawford County, Iowa. Previously recorded in _____ in County Recorder's Office.
(book, page, document number, etc.)

(Show reason for preparing this certificate, the evidence and detailed procedures used in establishing the corner positions and monumentation found or placed.)

PLAN - VIEW

(Show a minimum of three reference ties to durable physical objects, relevant monuments and physical conditions that will enable recovery of the corner.)



I HEREBY CERTIFY THAT THIS CORNER CERTIFICATE WAS PREPARED BY ME OR UNDER MY DIRECT PERSONAL SUPERVISION AND THAT I AM A PROFESSIONAL LAND SURVEYOR UNDER THE LAWS OF THE STATE OF IOWA. MY REGISTRATION IS SUBJECT TO RENEWAL 12-31-01.

Michael G. Semke
DATE 3/6/00 MICHAEL G. SEMKE, RLS NO 10318

| List Corners to be Indexed | | | |
|----------------------------|---------|-----|-------|
| Corners | Section | Twp | Range |
| N 1/4 | 31 | 84 | 40 |
| S 1/4 | 30 | 84 | 40 |
| NE COR | 31 | 84 | 40 |
| NW COR | 32 | 84 | 40 |
| SE COR | 30 | 84 | 40 |
| SW COR | 29 | 84 | 40 |
| NW COR | 31 | 84 | 40 |
| NE COR | 36 | 84 | 41 |
| SE COR | 25 | 84 | 41 |
| SW COR | 30 | 84 | 40 |
| CENTER | 31 | 84 | 40 |