

FILED DENISON, IOWA
CRAWFORD COUNTY

INDEXED _____
FOLLOW UP _____
RECORDED _____

2003 JUL 15 AM 9:41

POST. NO. 2003-2683
DENISE MEEVES, RECORDER
Denise Meeves
FEE \$ 11.00

This document prepared by: Semke & Associates - 712-792-2276
Michael G. Semke, L.S. #10318 - 716 N. Crawford - Carroll, Iowa

UNITED STATES PUBLIC LAND SURVEY CORNER CERTIFICATE
OF

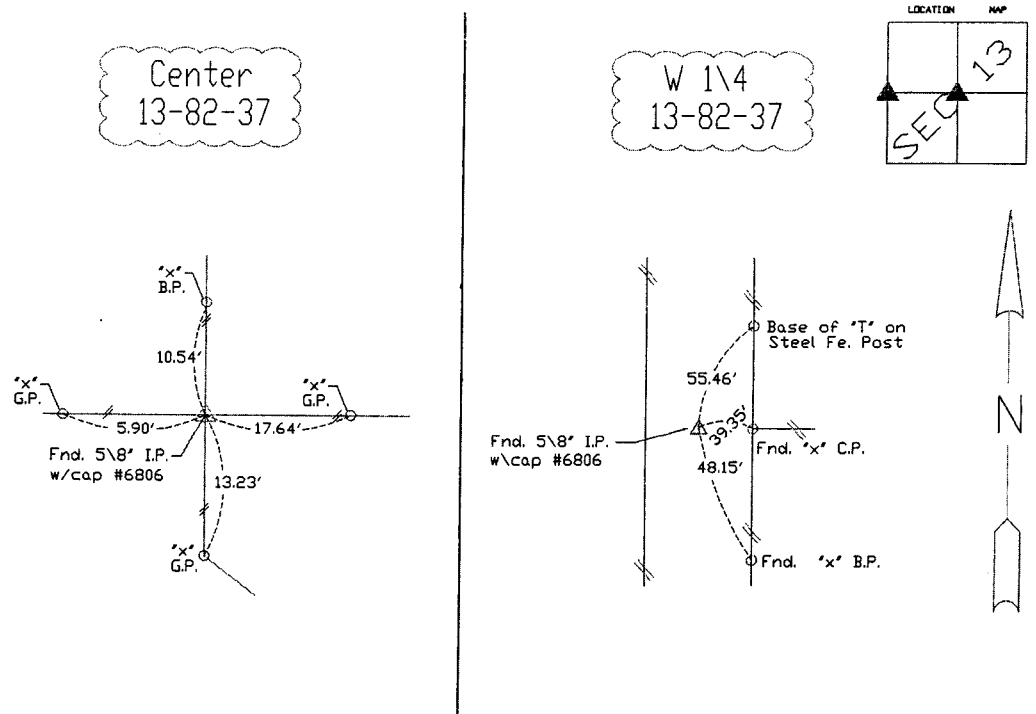
Land Survey Monuments situated in Section 13, Township 82 North, Range 37
West, of the Fifth Principal Meridian, Crawford County, Iowa.
Previously recorded in Book _____, Page _____ in County Recorder's Office.

(Show reason for preparing this certificate, the evidence and detailed procedures used in establishing the corner positions and monumentation found or placed.)

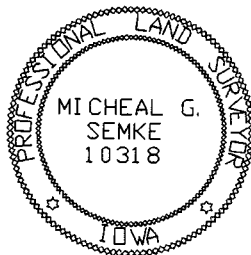
Center of Section	Fnd. 5\8" I.P. w/cap #6806 6" above ground.
W 1\4 Corner	Fnd. 5\8" I.P. w/cap #6806 @ road surface.

PLAN - VIEW

(Show a minimum of three reference ties to durable physical objects, relevant monuments and physical conditions that will enable recovery of the corner.)



Note: All ties slope chained unless noted.



I HEREBY CERTIFY THAT THIS CORNER CERTIFICATE
WAS PREPARED BY ME OR UNDER MY DIRECT PERSONAL
SUPERVISION AND THAT I AM A PROFESSIONAL LAND
SURVEYOR UNDER THE LAWS OF THE STATE OF IOWA.
MY REGISTRATION IS SUBJECT TO RENEWAL 12-31-03.

7/14/03
DATE

M. G. Semke
MICHAEL G. SEMKE, RLS NO 10318

List Corners to be Indexed

Corners	Section	Twp	Range
W 1/4 Corner	13	82	37
E 1/4 Corner	14	82	37
Center	13	82	37