

Instrument #: 2016-1681  
 08/09/2016 08:08:24 AM Total Pages: 1  
 PLC PLAT CORNER CER  
 Recording Fee: \$7.00 Transfer Tax: \$0  
 Denise Meeves, Recorder, Crawford County Iowa

INDEXED *JMK*  
 FOLLOW UP \_\_\_\_\_  
 PROOFED \_\_\_\_\_  
 SCANNED \_\_\_\_\_

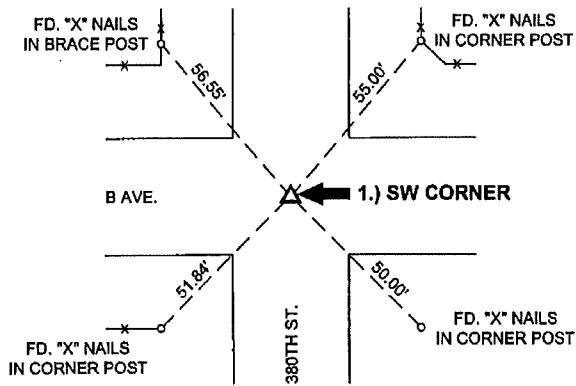
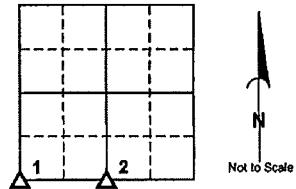


PREPARED BY AND RETURN TO: JEFFREY M. KRUEGER P.L.S., KRUEGER SURVEYING, P.C., 2425 190TH STREET, NEMAH, IA 50567 PH. (712) 660-2284

**UNITED STATES PUBLIC LAND SURVEY CORNER CERTIFICATE  
 OF**

LAND SURVEY MONUMENTS SITUATED IN SECTION 2,  
 TOWNSHIP 85 NORTH, RANGE 37 WEST  
 OF THE 5TH P.M., CRAWFORD COUNTY, IOWA.

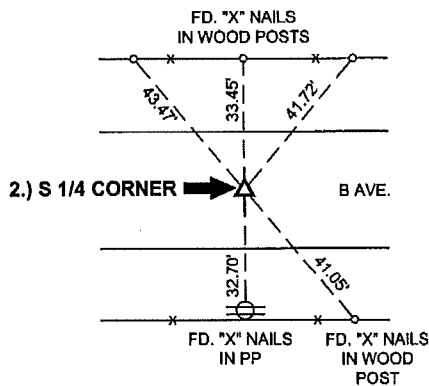
SECTION 2



**1.) SW CORNER  
 2-85-37  
 CRAWFORD COUNTY, IOWA:**

A SECTION CORNER CERTIFICATE BY MICHEAL SEMKE (RECORDED AS INSTRUMENT NO. 2015-0438 IN THE CRAWFORD COUNTY RECORDER'S OFFICE) SHOWS THAT HE FOUND AN IRON AND RAISED IT TO THE SURFACE WITH A 60D SPIKE. SEARCHED AREA AND FOUND 60D SPIKE BENT OVER. REMOVED AND FOUND 5/8" REBAR, 20" DEEP. USED THIS AS THE CORNER AND RAISED WITH A 1/2" REBAR, 6" DEEP.

THIS CERTIFICATE IS BEING PREPARED BECAUSE: THE CORNER MONUMENT HAS BEEN REPLACED OR MODIFIED.



**2.) S 1/4 CORNER  
 2-85-37  
 CRAWFORD COUNTY, IOWA:**

A SECTION CORNER CERTIFICATE BY MICHEAL SEMKE (RECORDED AS INSTRUMENT NO. 2015-0059 IN THE CRAWFORD COUNTY RECORDER'S OFFICE) SHOWS THAT HE FOUND A 1" IRON PIN, 3" DEEP. SEARCHED AREA AND FOUND 3/4" BAR, 3" DEEP, THAT MATCHED HIS POSITION.

THIS CERTIFICATE IS BEING PREPARED BECAUSE: THE CORNER MONUMENT HAS BEEN REPLACED OR MODIFIED.



I hereby certify that this land surveying document was prepared and the related survey work was performed by me or under my direct personal supervision and that I am a duly licensed Land Surveyor under the laws of the State of Iowa.

*JMK* 8/3/2016  
 Jeffrey M. Krueger Date:  
 License Number 16749  
 My license renewal date is December 31, 2016  
 Pages covered by this seal 1

S.M. = SURVEY MARKER  
 PLASTIC REFERENCE DISK  
 AS SHOWN BELOW



PN: 2016-74 DRAWN: JMK

List Corners to be Indexed

Corners	Section	Township	Range
1) SW	2	85	37
2) S 1/4	2	85	37