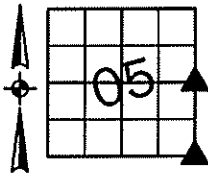


Sara Meseck, RECORDER
 Crawford County, Iowa
 Instr. Number: 2025-1365
 Recorded: 7/14/2025 at 3:51:37.0 PM
 Pages 1
 County Recording Fee: \$7.00
 Iowa E-Filing Fee: \$3.13
 Combined Fee: \$10.13
 Revenue Tax:

PREPARED BY AND RETURN TO: MIKE SCHULTE, SCHULTE SURVEYING, INC., 2003 390TH STREET, WESTSIDE, IA 51467 (712) 790-3489

UNITED STATES PUBLIC LAND SURVEY CORNER CERTIFICATE OF
 LAND SURVEY MONUMENTS SITUATED IN SECTION 05, TOWNSHIP 85 NORTH, RANGE 37 WEST, OF THE FIFTH
 PRINCIPAL MERIDIAN, CRAWFORD COUNTY, IOWA. PREVIOUSLY RECORDED IN SEE BELOW IN COUNTY
(book, page instrument number)
 RECORDER'S OFFICE.



SE CORNER

FND 5/8" REBAR 6" DEEP

N=7309679.19 E=16653049.70 Z=1336.52

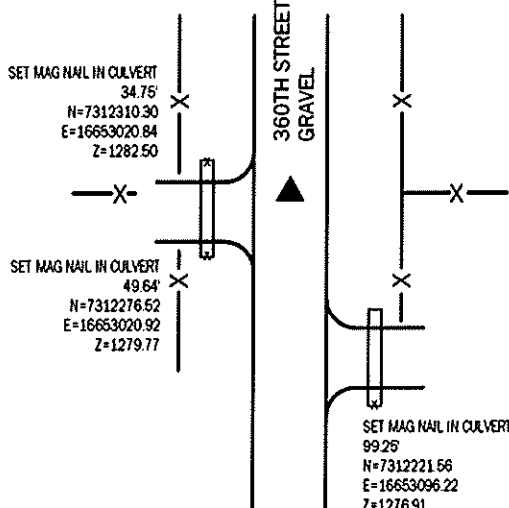
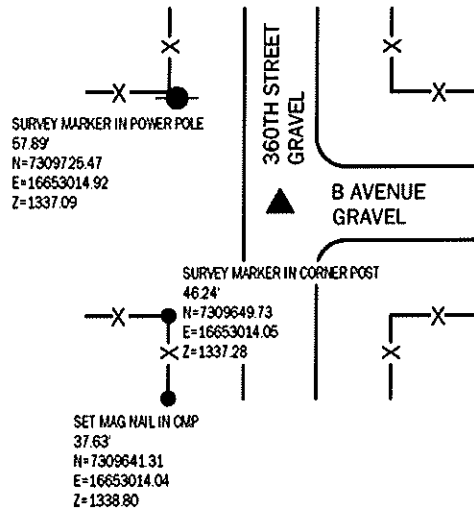
USED CERTIFICATE RECORDED IN FEE BOOK 2007-2190 AND A METAL LOCATOR TO FIND A 5/8" REBAR 6" DEEP. VERIFIED WITH 2 REMAINING TIES.
 THIS CERTIFICATE IS BEING FILED TO UPDATE THE REFERENCE TIES.

E1/4 CORNER

FND 1/2" REBAR 6" DEEP

N=7312312.10 E=16653055.54 Z=1284.69

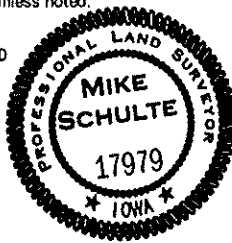
USED CERTIFICATE RECORDED IN FEE BOOK 2007-2191 AND A METAL LOCATOR TO FIND A 1/2" REBAR 6" DEEP. VERIFIED WITH 1 REMAINING TIE.
 THIS CERTIFICATE IS BEING FILED TO UPDATE THE REFERENCE TIES.



*All distances are measured horizontally unless noted.

I HEREBY CERTIFY THAT THIS LAND SURVEYING DOCUMENT WAS PREPARED BY ME OR UNDER MY DIRECT PERSONAL SUPERVISION AND THAT I AM A DULY LICENSED PROFESSIONAL LAND SURVEYOR UNDER THE LAWS OF THE STATE OF IOWA.

Mike Schulte
 MIKE SCHULTE
 LICENSE NUMBER: 17979
 LICENSE RENEWAL DATE IS DECEMBER 31, 2025
 PAGES COVERED BY THIS SEAL: 1 OF 1



LIST CORNERS TO BE INDEXED

CORNER	SECTION	TWP	RANGE
E1/4 CORNER	5	85	37
W1/4 CORNER	4	85	37
SE CORNER	5	85	37
NE CORNER	8	85	37
NW CORNER	9	85	37
SW CORNER	4	85	37

BASIS OF BEARING

IA RCS ZONE 4 - US SURVEY FEET
 IARFN DERIVED - NAD83(2011), EPOCH 2010.00)

SCHULTE SURVEYING, INC.

DRAWN BY: SLG
 PROJ NUMBER: 25-055