

**UNITED STATES PUBLIC LAND SURVEY CORNER CERTIFICATE
OF**

LAND SURVEY MONUMENTS SITUATED IN SECTION 19 TOWNSHIP 84N
RANGE 37W OF THE 5TH PRINCIPAL MERIDIAN, CRAWFORD
COUNTY, IOWA

PREVIOUSLY RECORDED IN BOOK _____ PAGE Instr. #95-2234

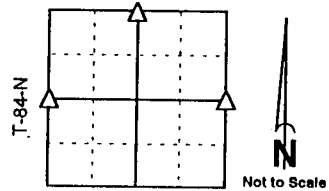
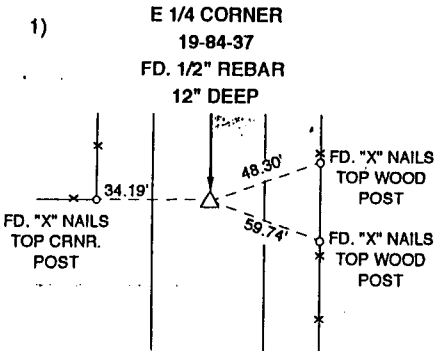
MONUMENT DESCRIPTION AND REMARKS: _____

1) E 1/4 CORNER 19-84-37: FOUND 1/2" REBAR 12" DEEP

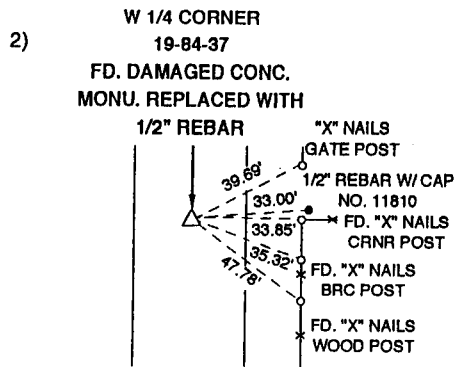
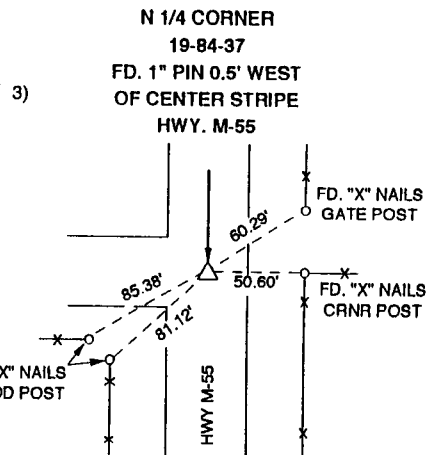
2) W 1/4 CORNER 19-84-37: FOUND DAMAGED CONCRETE MONUMENT; REPLACED WITH 1/2" REBAR

3) N 1/4 CORNER 19-84-37: FOUND 1" PIN 0.5' WEST OF CENTER STRIPE

PLAN - VIEW



R-37-W
CRAWFORD COUNTY



PN: 95064

I HEREBY CERTIFY THAT THE SURVEY WORK WAS COMPLETED AND THIS CERTIFICATE WAS PREPARED BY ME OR UNDER MY DIRECT PERSONAL SUPERVISION AND THAT I AM A DULY REGISTERED LAND SURVEYOR UNDER THE LAWS OF THE STATE OF IOWA.

J. Scott Shevel
J. SCOTT SHEVEL

REGISTERED LAND SURVEYOR NO. 11810

DATE: July 20, 1995 REVISED 10/1/95

MY REGISTRATION RENEWAL DATE IS DECEMBER 31, 1995

SEAL



List Corners to be Indexed

Corners	Section	Twp.	Range
1) E 1/4	19	84	37
2) W1/4	19	84	37
3) N1/4	19	84	37

FILED DENISON, IOWA
CRAWFORD COUNTY

95 OCT -4 AM 9:51

INST. NO. 95-2375
DENISE MEEVES, RECORDER
Denise Meeves
FEE 6.00

INDEXED ME
FOLLOW UP MS
PROOFED ✓