

INDEXED km  
FOLLOW UP \_\_\_\_\_  
PROOFED \_\_\_\_\_  
SCANNED km

Instrument #: 2018-2590  
12/18/2018 10:04:51 AM Total Pages: 1  
PLC PLAT CORNER CER  
Recording Fee: \$7.00 Transfer Tax: \$0  
Denise Heeves, Recorder, Crawford County Iowa



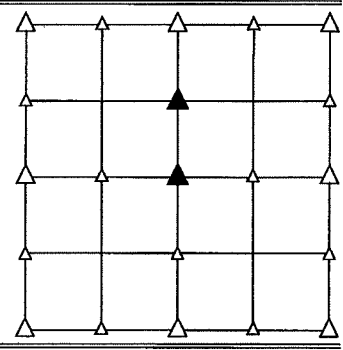
PREPARED BY - JOSEPH P. RUESCHENBERG - SUNDQUIST ENGINEERING - 120 S. MAIN, DENISON, IOWA 51442 - PHONE (712) 263-8118

### UNITED STATES PUBLIC LAND SURVEY CORNER CERTIFICATE OF

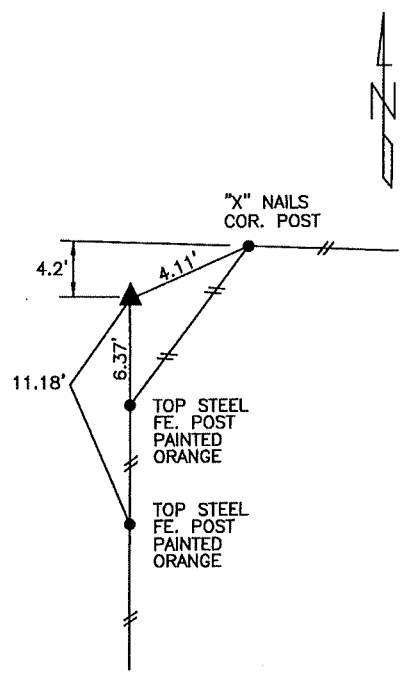
LAND SURVEY MONUMENT SITUATED IN SECTION 33, T 82 N, R 38 W OF  
THE 5TH P.M., CRAWFORD COUNTY, IOWA.  
PREVIOUSLY RECORDED IN BOOK \_\_\_\_\_, PAGE \_\_\_\_\_, OTHER \_\_\_\_\_

#### MONUMENT DESCRIPTION AND REMARKS

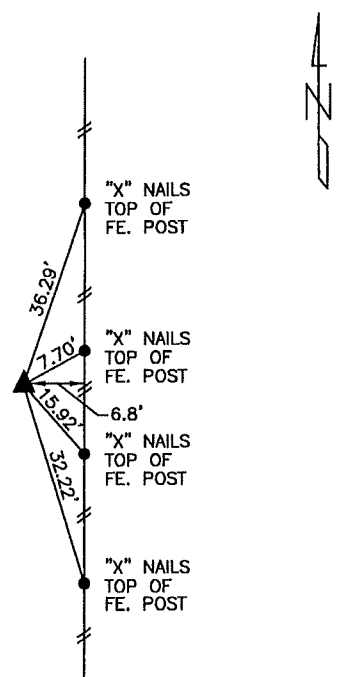
NW CORNER  
SW1/4 NE1/4 - SET 5/8" DIA. X 18" IRON PIN W/ORANGE CAP  
#14709 FLUSH. SET ON LINE & AT SPLIT BETWEEN  
CENTER OF SECTION AND N1/4 CORNER OF SECTION  
33.  
  
CENTER - SET 5/8" DIA. X 18" IRON PIN W/ORANGE CAP #14709  
FLUSH. SET AT INTERSECTION OF LINES BETWEEN S1/4  
COR. & N1/4 COR. AND W1/4 COR. & E1/4 COR. OF  
SECTION 33.



#### PLAN VIEW SHOWING RELATIVE LOCATION OF MONUMENT AND REFERENCE POINTS.



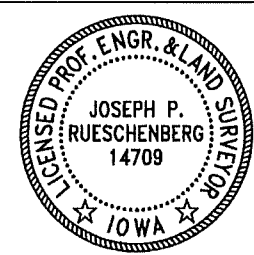
DISTANCES PLUMB CHAINED  
NW CORNER SW1/4 NE1/4  
SECTION 33-82-38



DISTANCES PLUMB CHAINED  
CENTER SECTION 33-82-38

I HEREBY CERTIFY THAT THIS LAND SURVEYING DOCUMENT WAS PREPARED AND THE RELATED SURVEY WORK WAS PERFORMED BY ME OR UNDER MY DIRECT PERSONAL SUPERVISION AND THAT I AM A DULY LICENSED LAND SURVEYOR UNDER THE LAWS OF THE STATE OF IOWA.

Joseph P. Rueschenberg 12-4-2018  
JOSEPH P. RUESCHENBERG DATE  
IA LICENSE NO. 14709 EXP. DATE DECEMBER 31, 2018



SE PROJECT NO. 24518  
DRAWN BY: LLL