

Instrument #: 2015-0026
01/07/2015 10:30:18 AM Total Pages: 1
PLC - PLAT CORNER CER
Recording Fee: \$7.00 Transfer Tax: \$0
Bartse Reeves, Recorder, Crawford County, Iowa



PREPARED BY - JOSEPH P. RUESCHENBERG - SUNDQUIST ENGINEERING - 120 S. MAIN, DENISON, IOWA 51442 - PHONE (712) 263-8118

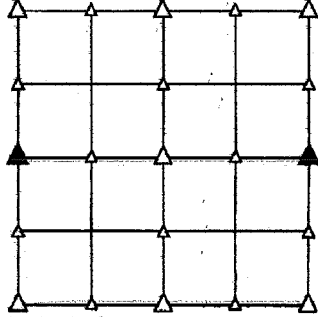
UNITED STATES PUBLIC LAND SURVEY CORNER CERTIFICATE OF

LAND SURVEY MONUMENT SITUATED IN SECTION 9, T 82 N, R 38 W OF
THE 5TH P.M., CRAWFORD COUNTY, IOWA.
PREVIOUSLY RECORDED IN BOOK _____, PAGE _____, OTHER _____

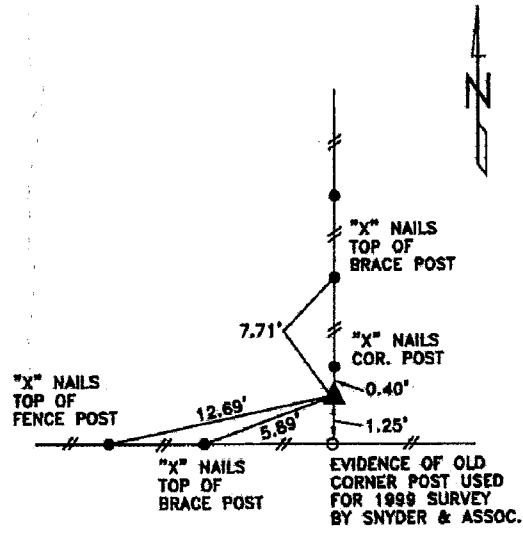
MONUMENT DESCRIPTION AND REMARKS

W1/4 CORNER - FOUND CM W/BRASS CAP 1.8' DEEP. SET 5/8" DIA. X 18" IRON PIN W/ORANGE CAP #14709 0.3' DEEP OVER CM. SET 5/8" DIA. X 18" IRON PIN ON WEST SIDE OF CM 0.1' BELOW TOP OF CM.

E1/4 CORNER - FOUND 1/2" DIA. IRON PIN 0.2' DEEP. CORNER WAS SET IN 1999 BY SNYDER & ASSOC. BUT NO TIES WERE RECORDED.

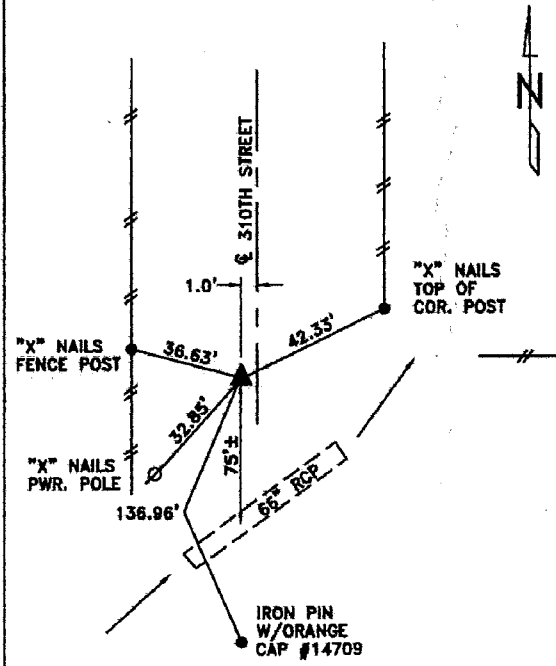


PLAN VIEW SHOWING RELATIVE LOCATION OF MONUMENT AND REFERENCE POINTS.



DISTANCES PLUMB CHAINED

W1/4 CORNER SECTION 9-82-38

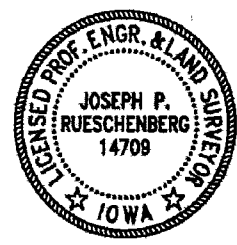


DISTANCES PLUMB CHAINED

E1/4 CORNER SECTION 9-82-38

I HEREBY CERTIFY THAT THIS LAND SURVEYING DOCUMENT WAS PREPARED AND THE RELATED SURVEY WORK WAS PERFORMED BY ME OR UNDER MY DIRECT PERSONAL SUPERVISION AND THAT I AM A DULY LICENSED LAND SURVEYOR UNDER THE LAWS OF THE STATE OF IOWA.

Joseph P. Rueschenberg 12-31-2014
JOSEPH P. RUESCHENBERG DATE
IA LICENSE NO. 14709 EXP. DATE DECEMBER 31, 2014



SE PROJECT NO. 23214
DRAWN BY: LLL