

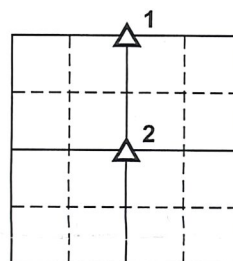


PREPARED BY AND RETURN TO: JEFFREY M. KRUEGER P.L.S., KRUEGER SURVEYING, P.C., 2425 190TH STREET, NEMAHA, IA 50567 PH. (712) 660-2264

**UNITED STATES PUBLIC LAND SURVEY CORNER CERTIFICATE  
 OF**

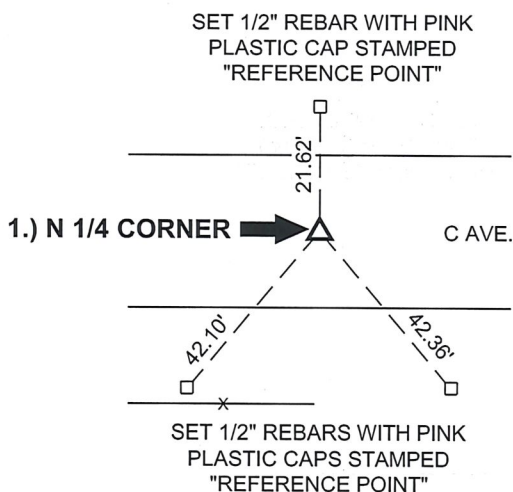
LAND SURVEY MONUMENTS SITUATED IN SECTION 13,  
 TOWNSHIP 85 NORTH, RANGE 39 WEST  
 OF THE 5TH P.M., CRAWFORD COUNTY, IOWA.

SECTION 13



Not to Scale

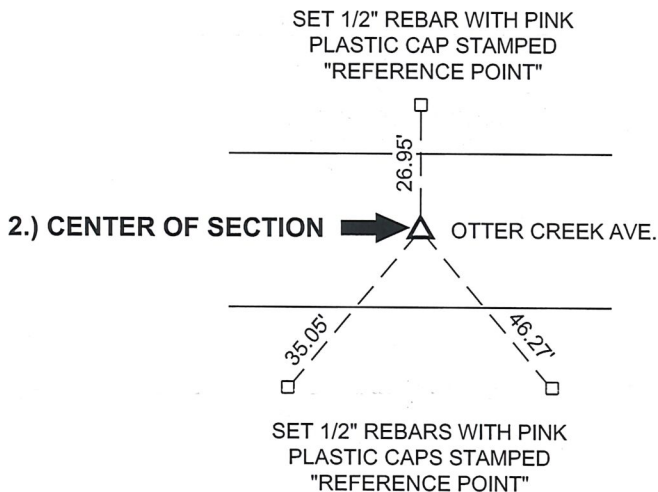
PN: 2020-1  
 DRAWN: JMK



**1.) N 1/4 CORNER  
 13-85-39  
 CRAWFORD COUNTY, IOWA:**

FOUND 3/4" BOLT, 12" DEEP.

THIS CERTIFICATE IS BEING PREPARED  
 BECAUSE: THERE IS NO CERTIFICATE FOR  
 THE CORNER ON FILE WITH THE  
 RECORDER OF THE COUNTY IN WHICH THE  
 CORNER IS LOCATED.



**2.) CENTER OF SECTION  
 13-85-39  
 CRAWFORD COUNTY, IOWA:**

NO RECORD OF CORNER BEING SET.  
 SEARCHED WITH METAL DETECTOR AND  
 FOUND NOTHING. SET 1/2" REBAR WITH  
 ORANGE PLASTIC CAP STAMPED "J  
 KRUEGER 16749", 6" DEEP, AT  
 THEORETICAL POSITION PER B.L.M.  
 METHODS.

THIS CERTIFICATE IS BEING PREPARED  
 BECAUSE: THERE IS NO CERTIFICATE FOR  
 THE CORNER ON FILE WITH THE  
 RECORDER OF THE COUNTY IN WHICH THE  
 CORNER IS LOCATED.

I hereby certify that this land surveying document was prepared and the related survey work was performed by me or under my direct personal supervision and that I am a duly licensed Land Surveyor under the laws of the State of Iowa.



*Jeffrey M. Krueger* 2/28/2020  
 Jeffrey M. Krueger Date:  
 License Number 16749  
 My license renewal date is December 31, 2020  
 Pages covered by this seal 1

List Corners to be Indexed

Corners	Section	Township	Range
1) N 1/4	13	85	39
2) CENTER	13	85	39