

2003 JAN 10 AM 10:56
INST. NO. 2003-0159
DENISE MEEVES, RECORDER
Denise Meeves
FEE \$ 6.00

FILED _____
RECORDED _____
INDEXED _____

This document prepared by: Semke & Associates - 712-792-2276
Michael G. Semke, L.S. #10318 - 716 N. Crawford - Carroll, Iowa

UNITED STATES PUBLIC LAND SURVEY CORNER CERTIFICATE
OF

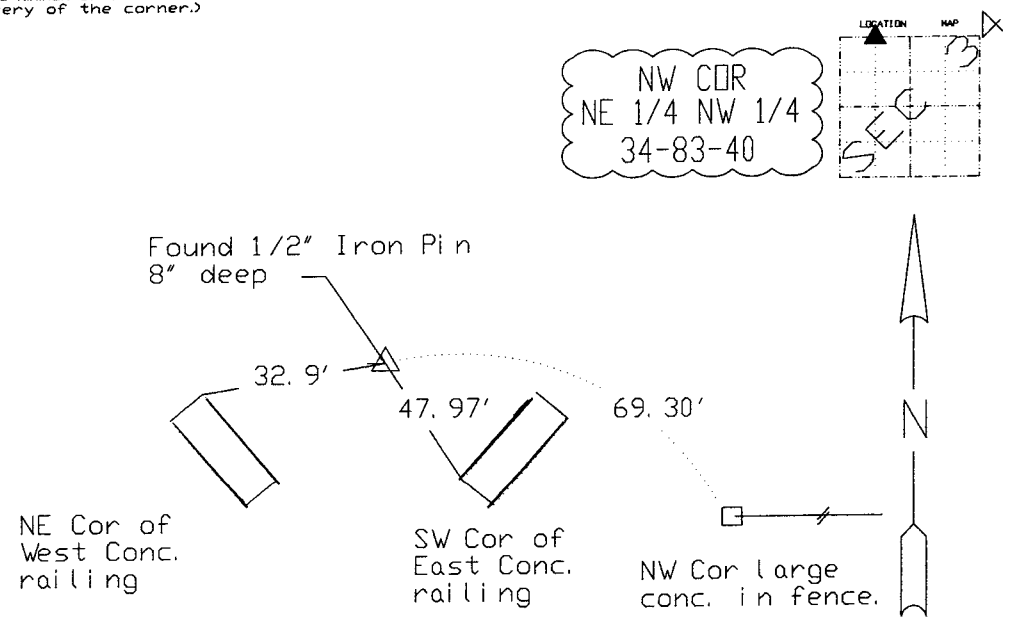
Land Survey Monuments situated in Section 34, Township 83, Range
40, of the Fifth Principal Meridian, Crawford County, Iowa.
Previously recorded in n/a in County Recorder's Office.
(book, page, document number, etc.)

(Show reason for preparing this certificate, the evidence and detailed procedures used in establishing the corner positions and monumentation found or placed.)

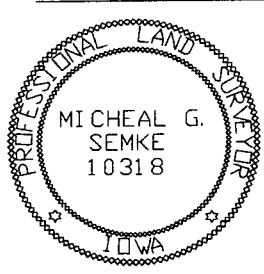
Found 1/2" iron pin 8" deep at existing ties from
County Engineers Office.

PLAN - VIEW

(Show a minimum of three reference ties to durable physical objects, relevant monuments and physical conditions that will enable recovery of the corner.)



Note: All ties slope chained unless noted.



I HEREBY CERTIFY THAT THIS CORNER CERTIFICATE
WAS PREPARED BY ME OR UNDER MY DIRECT PERSONAL
SUPERVISION AND THAT I AM A PROFESSIONAL LAND
SURVEYOR UNDER THE LAWS OF THE STATE OF IOWA.
MY REGISTRATION IS SUBJECT TO RENEWAL 12-31-03.
1/9/03
DATE MICHAEL G. SEMKE, RLS NO 10318

List Corners to be Indexed			
Corners	Section	Twp	Range
NW Cor			
NE 1/4 NW 1/4	34	83	40