



INDEXED
FOLLOW UP
PROOFED
SCANNED

Crawford Denise Maeves
FEE BOOK 2005-0718 3/24/2005 @ 01:37PM
PLC PLAT CORNER CERBook: Page:05-0718 #: 1
Total Fees: \$7.00

PREPARED BY: JEFFREY M. KRUEGER L.S., KUEHL AND PAYER LTD., 423 WEST MAIN ST., SAC CITY, IA 50583 PH. (712)662-7859

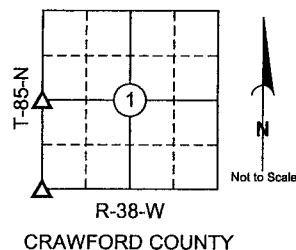
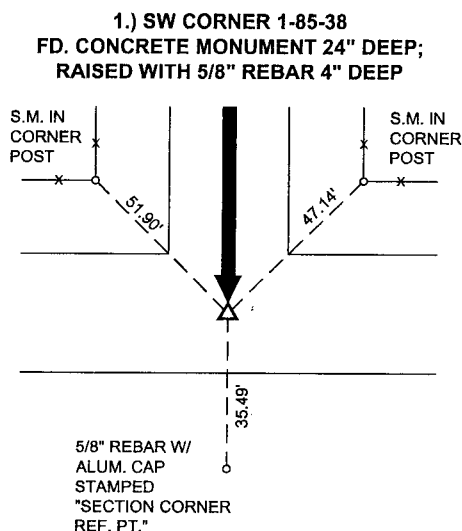
UNITED STATES PUBLIC LAND SURVEY CORNER CERTIFICATE OF

LAND SURVEY MONUMENTS SITUATED IN SECTION 1, TOWNSHIP 85 NORTH,
RANGE 38 WEST, OF THE 5TH PRINCIPAL MERIDIAN, CRAWFORD COUNTY, IOWA.
PREVIOUSLY RECORDED IN BOOK _____ PAGE _____

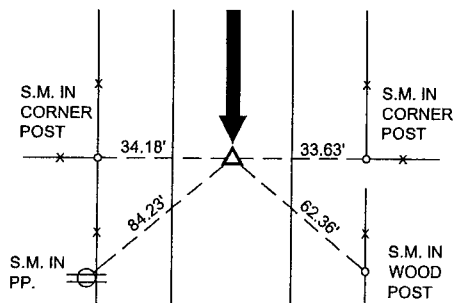
MONUMENT DESCRIPTION AND REMARKS:

- 1.) SW CORNER 1-85-38: FD. CONCRETE MONUMENT 24" DEEP; RAISED WITH 5/8" REBAR 4" DEEP
- 2.) W 1/4 CORNER 1-85-38: FD. CONCRETE MONUMENT 30" DEEP; RAISED WITH 5/8" REBAR 6" DEEP

PLAN - VIEW



**2.) W 1/4 CORNER 1-85-38
FD. CONCRETE MONUMENT 30" DEEP;
RAISED WITH 5/8" REBAR 6" DEEP**



S.M. = SURVEY MARKER
PLASTIC REFERENCE DISK
AS SHOWN BELOW



I hereby certify that this land surveying document was prepared and the related survey work was performed by me or under my direct personal supervision and that I am a duly licensed Land Surveyor under the laws of the State of Iowa.

Jeffrey M. Krueger 3-24-2005
Jeffrey M. Krueger Date:
License Number 16749
My license renewal date is December 31, 2006
Pages covered by this seal 1

List Corners to be Indexed

Corners	Section	Township	Range
1) SW	1	85	38
2) W 1/4	1	85	38