

INDEX _____
SCAN _____
FOLLOW UP _____
PROOF _____

Instrument #: 2025-1164
05/12/2025 10:15:25 AM Total Pages: 1
PLC - PLAT COR CERT
Recording Fee: \$7.00 Transfer Tax: \$0
Sara Meseck, Recorder, Crawford County Iowa



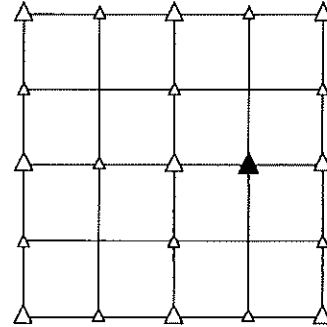
PREPARED BY - TERENCE E. CRAWFORD - SUNDQUIST ENGINEERING - 120 S. MAIN, DENISON, IOWA 51442 - PHONE (712) 263-8118

UNITED STATES PUBLIC LAND SURVEY CORNER CERTIFICATE OF

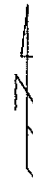
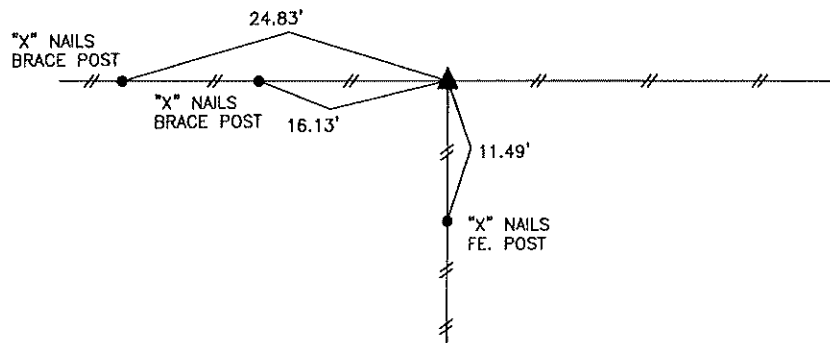
LAND SURVEY MONUMENT SITUATED IN SECTION 4, T 85 N, R 38 W OF
THE 5TH P.M., CRAWFORD COUNTY, IOWA.
PREVIOUSLY RECORDED IN BOOK _____, PAGE _____, OTHER _____

MONUMENT DESCRIPTION AND REMARKS

NW CORNER
NE1/4 SE1/4 - SET 5/8" DIA. X 18" IRON PIN W/YELLOW CAP
#8893 FLUSH. SET ON LINE AND AT SPLIT BETWEEN
CENTER & E1/4 COR. OF SECTION 4.



PLAN VIEW SHOWING RELATIVE LOCATION OF MONUMENT AND REFERENCE POINTS.



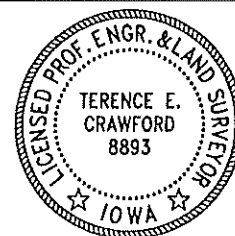
DISTANCES PLUMB CHAINED

NW CORNER NE1/4 SE1/4 SECTION 4-85-38

I HEREBY CERTIFY THAT THIS LAND SURVEYING DOCUMENT WAS PREPARED
AND THE RELATED SURVEY WORK WAS PERFORMED BY ME OR UNDER MY
DIRECT PERSONAL SUPERVISION AND THAT I AM A DULY LICENSED LAND
SURVEYOR UNDER THE LAWS OF THE STATE OF IOWA.

Terence E. Crawford 5-28-25
TERENCE E. CRAWFORD DATE
IA LICENSE NO. 8893

EXP. DATE DECEMBER 31, 2025



SE PROJECT NO. 22425
DRAWN BY: LLL