



INDEXED MFB
FOLLOW UP MFB
PROOFED MFB
SCANNED MFB

Crawford County Recorder Denise Meeves
FEE BOOK 2005-0022 1/03/2005 @ 03:35PM
PIC PLAT CORNER CERBook: Page:05-0022 #: 1
Total Fees: \$.00

PREPARED BY: MICKAEL BERNDT
CRAWFORD COUNTY ENGINEERS OFFICE - COURTHOUSE - DENISON, IA. - 712-263-2449

UNITED STATES PUBLIC LAND SURVEY CORNER CERTIFICATE OF

LAND SURVEY MONUMENT SITUATED IN UNION TOWNSHIP THE EAST 1/4 CORNER
OF SECTION 26, T-82N, R-40W OF THE 5TH P.M. CRAWFORD COUNTY, IOWA.

PREVIOUSLY RECORDED AS INSTRUMENT NO. 2000-0480

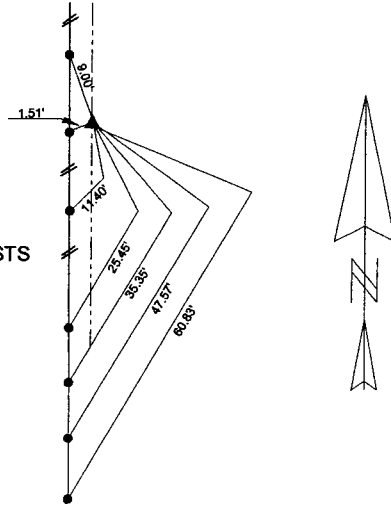
MONUMENT DESCRIPTION AND REMARKS

EAST 1/4 CORNER SEC. 26-82-40
THE COUNTY ROAD WAS VACATED ON MARCH 23rd, 2004. SOME TREES WERE REMOVED AND AT THAT
TIME THE CORNER WAS TIED OFF AND RESET.

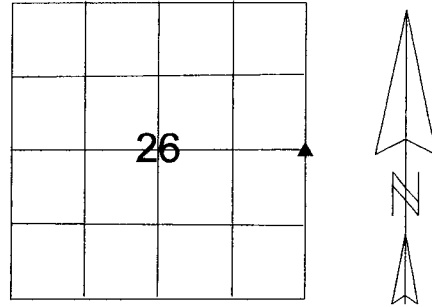
EAST 1/4 CORNER SEC. 26-82-40
SET 5/8" X 16" REBAR
YELLOW CAP #14808
8" DEEP

CROSS NAILS IN WOOD POSTS

ALL DISTANCES ARE SLOPE CHAINED



CORNER: EAST 1/4
SECTION: 26
TOWNSHIP: 82N
RANGE: 40W



I HEREBY CERTIFY THAT THIS LAND SURVEYING DOCUMENT WAS PREPARED
AND THE RELATED SURVEY WORK WAS PERFORMED BY ME OR UNDER MY
DIRECT PERSONAL SUPERVISION AND THAT I AM A DULY LICENSED LAND
SURVEYOR UNDER THE LAWS OF THE STATE OF IOWA.

Michael F. Berndt
MICKAEL F. BERNDT
IA. LICENSE NO. 14808

1-3-05
DATE
EXP. DATE 12-31-06

